

## The Z-shaped belt conveyor

Sturdy ■ Reliable ■ Easy to clean



### Characteristics:

- ▶ Conveyor with plastic-hinge plate belt and plastic slats
- ▶ Lamellar sidewalls
- ▶ Ideal for small parts
- ▶ Solid and sturdy steel construction, also available in high-grade steel on request
- ▶ Automatic interruption of operation if any obstruction occurs
- ▶ Mobile design

### Options:

- ▶ Versatile adjustment of material hopper
- ▶ Distributor chute
- ▶ Transparent cover
- ▶ Adjustable conveyor belt speed
- ▶ Sequential control system (user-definable runtimes and stoptimes)



Components for your automation.

# The component System



## Choose the configuration you require:

Length of feeding section  $L_A$ : \_\_\_\_\_ mm      Length of discharging section  $L_G$ : \_\_\_\_\_ mm

Length of inclined section  $L_S$ : \_\_\_\_\_ mm

(min. 400 mm)

### Band width

for plastic plate belt:

116 mm     200 mm     216 mm     300 mm

316 mm     400 mm     416 mm     500 mm

### Width of belt

\_\_\_\_\_ mm

### Angle $\alpha$ :

45°     60°

### Motor:

Hollow shaft     Drum

### Height of slats:

20 mm     30 mm     \_\_\_\_\_ mm

### Belt design:

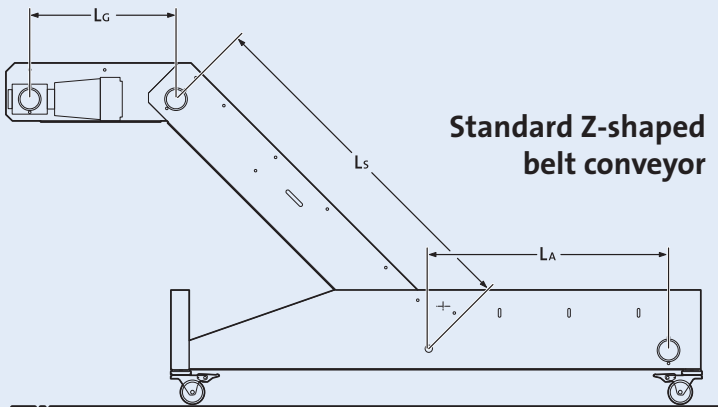
\_\_\_\_\_

### Conveyor belt speed:

4 m/min.     9 m/min.     12 m/min.

### Options:

Side railing     Controllable     Sequential control system



Standard Z-shaped belt conveyor

### Configuration:

400 V, 3 Ph., 50 Hz • 5 m connecting cable  
CEE plug 16 A • mobile • color RAL 7035

## A+L-belt conveyors in different designs:



Z-shaped belt conveyors



Horizontal belt conveyors

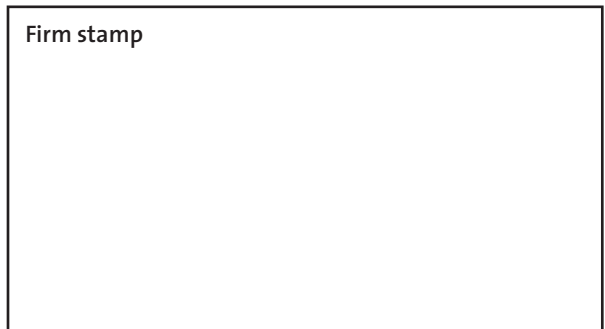


L-shaped belt conveyors



Belt conveyors with storage bin

Firm stamp



Subject to technical modifications. Availability and errors excepted · 228/10,10/GB